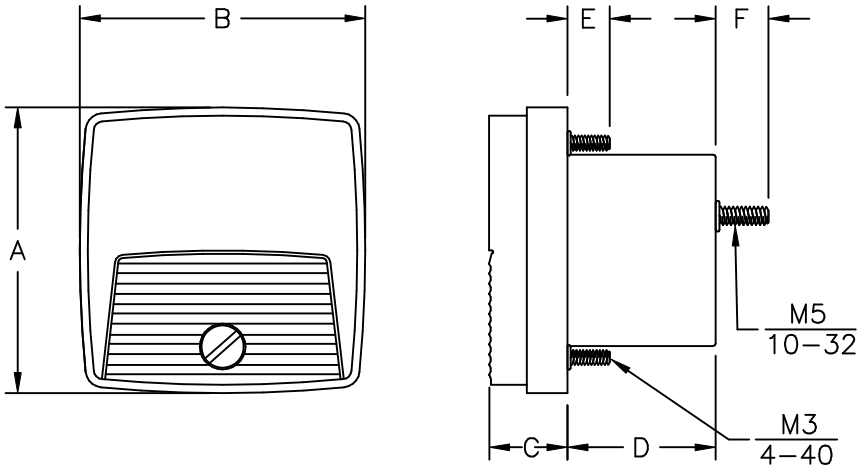


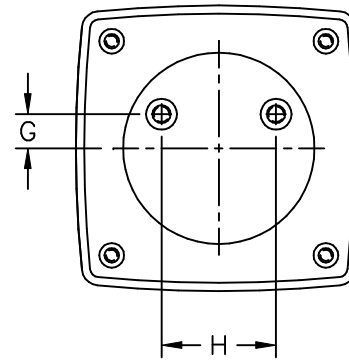
# PB Series

DWG. NO. **A PB SERIES**

REVISIONS			
SYM.	DESCRIPTION	DATE	APPROVAL
A	RELEASED TO PRODUCTION STATUS	8-5-08	21172

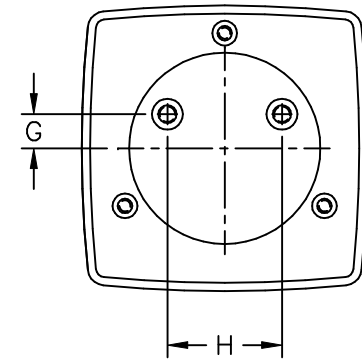


Rear view 1PB, 4PB



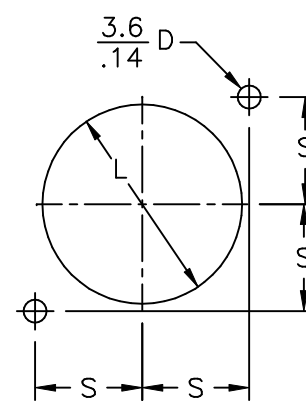
Rear view 2PB, 3PB

Optional: Available in 4 stud mtg

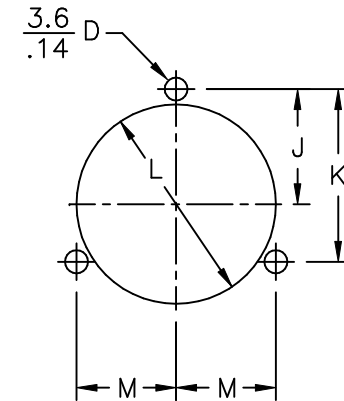


## DIMENSIONAL DATA PB SERIES

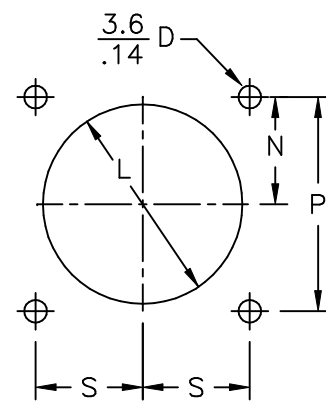
		A	B	C	D	E	F	G	H	J	K	L	M	N	P	S
1PB	mm.	44.5	44.5	12.7	29.0	12.7	6.35	4.06	22.4			38.9		16.7	33.4	16.7
	in.	1.75	1.75	.50	1.14	.50	.25	.16	.96			1.53		.656	1.31	.656
2PB	mm.	68.6	68.6	12.7	28.6	12.7	16.3	9.40	28.4	31.0	46.5	55.9	26.8	23.9	47.8	23.9
	in.	2.70	2.70	.50	1.124	.50	.64	.37	1.12	1.22	1.83	2.20	1.06	.94	1.88	.94
3PB	mm.	88.9	88.9	12.7	28.6	12.7	16.3	1.3	28.4	40.1	60.2	69.9	34.8	28.6	57.2	28.6
	in.	3.50	3.50	.50	1.124	.50	.64	.05	1.12	1.58	2.37	2.75	1.37	1.125	2.25	1.125
4PB	mm.	112.0	123.2	12.7	30.5	12.7	16.3	0.38	28.4			70.9		51.6	90.4	50.8
	in.	4.41	4.85	.50	1.20	.50	.64	.015	1.12			2.79		2.03	3.56	2.00



2-stud panel cutout



3-stud panel cutout



4-stud panel cutout

<p>TOLERANCE UNLESS SPECIFIED</p> <p>RAW MATERIAL - COMMERCIAL STANDARD</p> <p>DIMENSIONS ARE IN INCHES.</p> <p>MATERIAL</p> <p>FINISH</p>	<p>DRAWN BY <b>U.K.</b> 6-30-08</p> <p>CHECKED BY</p> <p>ENGINEER</p> <p>USED ON</p> <p>NEXT ASSY</p>	<p><b>PB SERIES</b></p> <p>1" PB, 2" PB, 3" PB, 4" PB</p> <p>OUTLINE</p> <p>SCALE NONE</p> <p>EPA NO. 11229</p>	<p><b>Jewell</b></p> <p>INSTRUMENTS, LLC.</p> <p>MANCHESTER NEW HAMPSHIRE</p> <p>DWG. NO. <b>PB SERIES</b></p> <p>CAT. NO.</p> <p>CODE 33005</p>
	<p>THIS DRAWING COVERS A PROPRIETARY ITEM AND IS THE PROPERTY OF JEWELL INSTRUMENTS, LLC.</p> <p>THIS DRAWING IS NOT TO BE COPIED OR USED WITHOUT PERMISSION.</p>		
	<p>SCALE NONE</p>		
	<p>EPA NO. 11229</p>		
	<p>CODE 33005</p>		