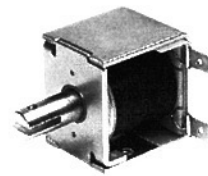


G 28 Solenoid

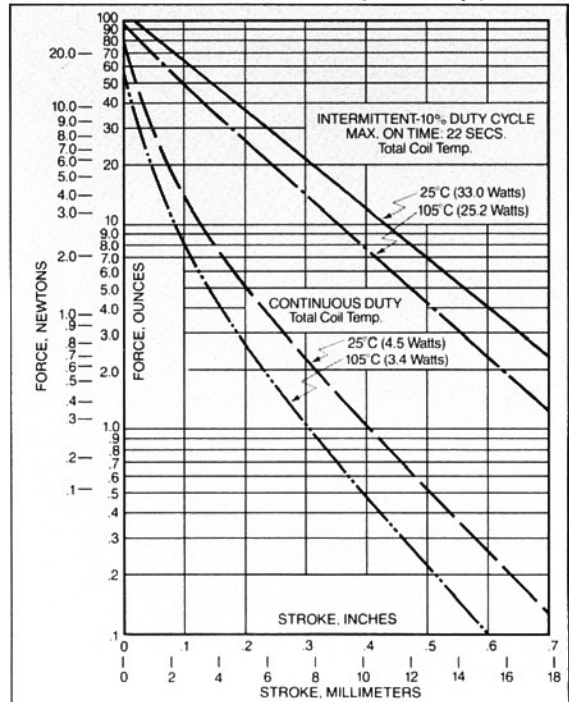


Specifications

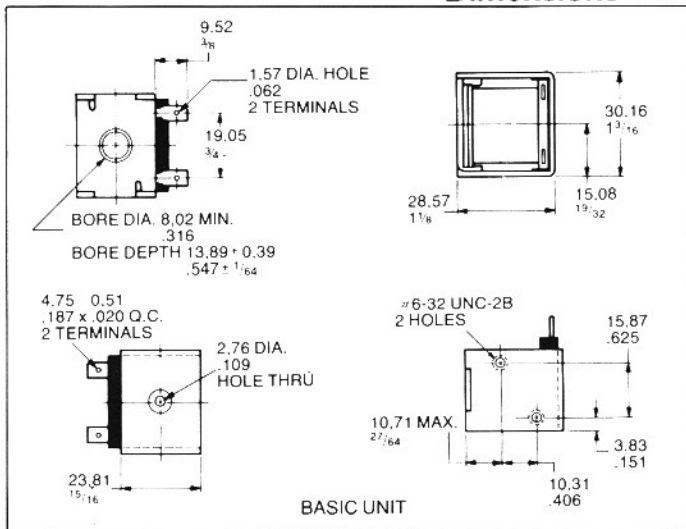
Type of Operation: Push or pull
Standard Voltages: 6 VDC, 12 VDC, 24 VDC, 115 Vac (Others available on request)
Insulation Material: Class "B" standard (Others available on request)
Coil Finish: Acetate tape standard (Also available: varnish dip, glass cloth tape, fungus resistant finish)
Coil Terminations: Terminals per drawing standard (Also available: flying leads, bent terminals, banded terminals, solder lugs)

Plating Standards: Frame—Zinc, chromate; Clevis—Zinc; Plunger—Electroplate Nickel; Stop—Electroless Nickel (Others available on request)
Plunger Type: Slot and cross drilled per drawing standard (Options available per drawing)
Plunger Weight: 0.4 ounces standard
Switch Type & Rating: SPDT, 10 amps at 115 Vac, 60 Hz non-inductive

DC Performance Data

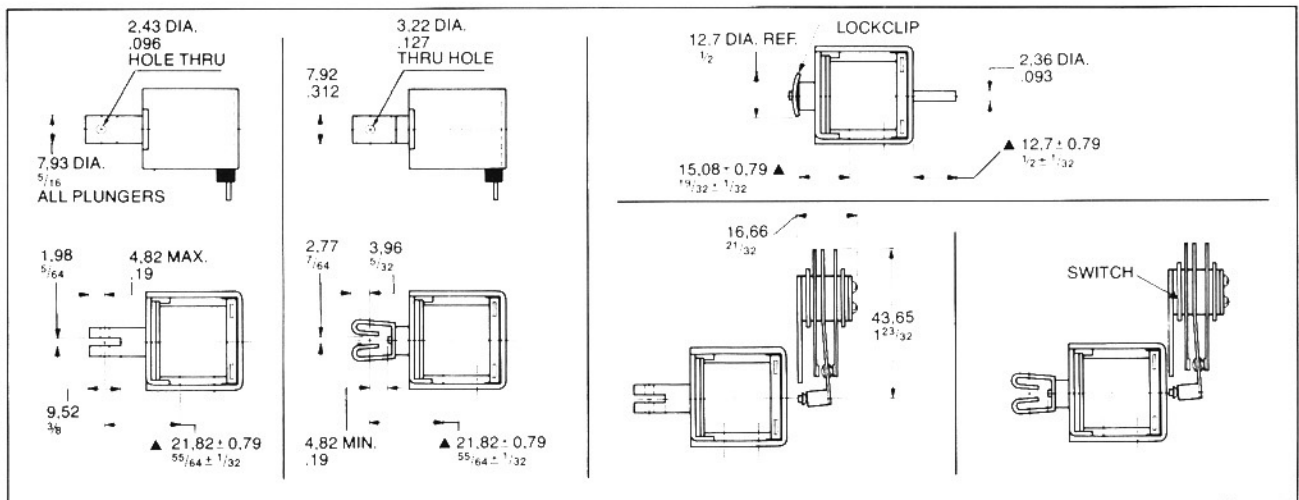


Dimensions



Duty Cycle	Maximum "On" Time	Stroke (inches)	Force* (ounces)	Rated Power (watts)
Continuous	∞	0.0	79.0	4.5
		0.2	5.0	
		0.4	1.0	
		0.6	Negligible	
10%	22 sec.	0.0	100.0	33.0
		0.2	34.0	
		0.4	11.5	
		0.6	3.8	

*TYPICAL FORCE @ 25 C AND NOMINAL RATED DC VOLTAGE



▲ ENERGIZED DIM.



850 Perimeter Road
 Manchester, NH 03103
 Toll Free: (800) 638-3771
 Fax: (603) 669-5962
 Email: sales@wpiit.com
 www.wpiit.com