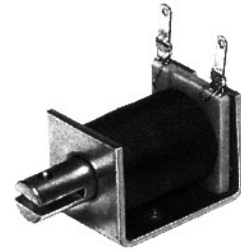


# G 34 Solenoid

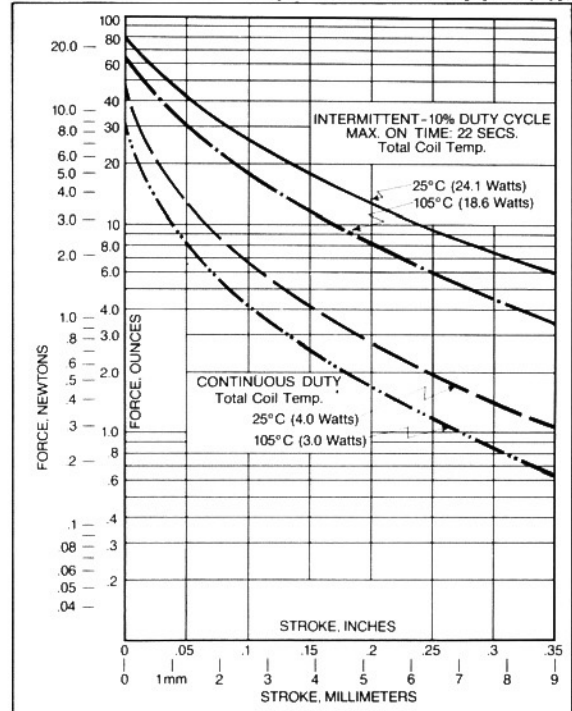


## Specifications

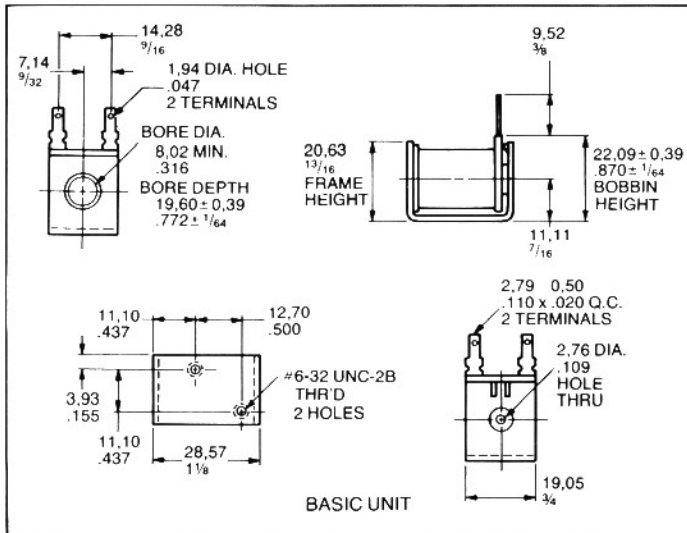
**Type of Operation:** Push or pull  
**Standard Voltages:** 6 VDC, 12 VDC, 24 VDC, 115 Vac (Others available on request)  
**Insulation Material:** Class "B" standard (Others available on request)  
**Coil Finish:** Acetate tape standard (Also available: varnish dip, glass cloth tape, fungus resistant finish)  
**Coil Terminations:** Terminals per drawing standard (Also available: flying leads, bent terminals, banded terminals, solder lugs)

**Plating Standards:** Frame—Zinc, chromate; Clevis—Zinc; Plunger—Electroplate Nickel; Stop—Electroless Nickel (Others available on request)  
**Plunger Type:** Slot and cross drilled per drawing standard (Options available per drawing)  
**Plunger Weight:** 0.4 ounces standard

## DC Performance Data

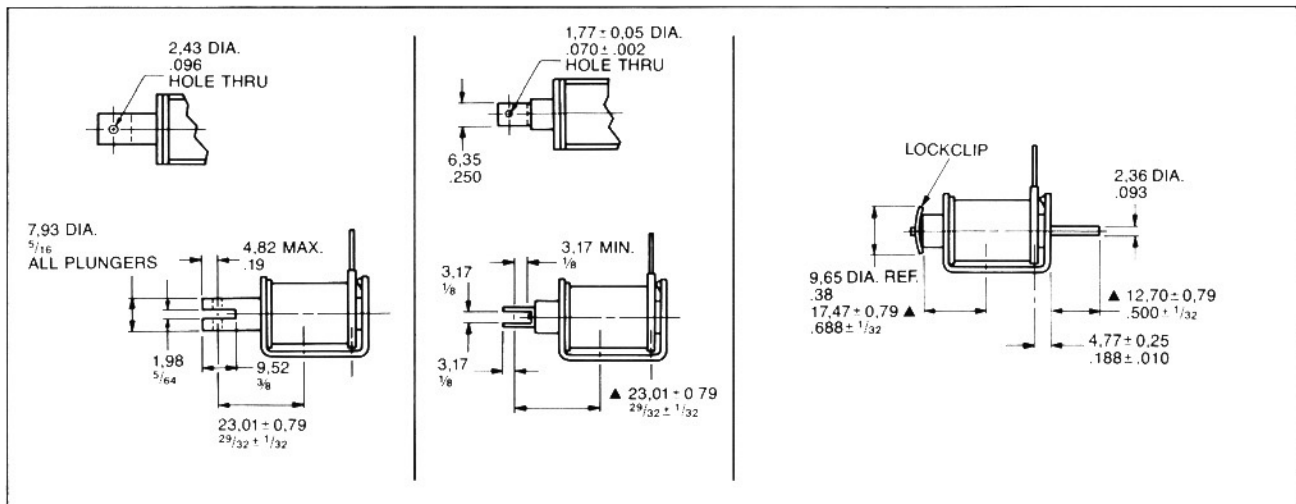


## Dimensions



Duty Cycle	Maximum "On" Time	Stroke vs. Force* (inches)	Force* (ounces)	Rated Power (watts)
Continuous	∞	0.0	50.0	4.0
		0.1	6.7	
		0.2	2.8	
10%	22 sec.	0.0	80.0	24.1
		0.1	27.0	
		0.2	13.5	
		0.3	7.8	

\* TYPICAL FORCE @ 25°C AND NOMINAL RATED DC VOLTAGE



▲ ENERGIZED DIM.