

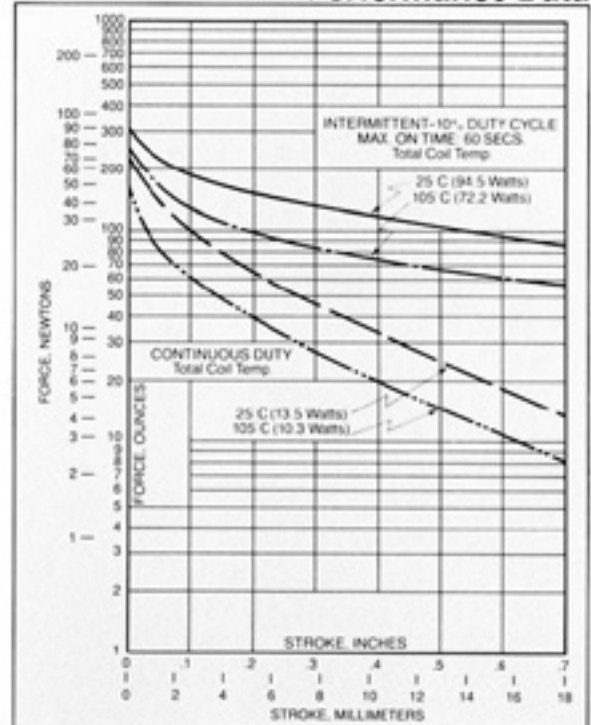
SL 7 Solenoid



Specifications

Type of Operation: Push or pull
Standard Voltages: 6 VDC, 12 VDC, 24 VDC, 115 Vac (Others available on request)
Insulation Material: Class "B" standard (Others available on request)
Coil Finish: Acetate tape standard (Also available: varnish dip, glass cloth tape, fungus resistant finish)
Coil Terminations: Wire leads per drawing standard
Plating Standards: Frame—Zinc, chromate; Clevis—Zinc; Plunger—Electroplate Nickel, Stop—Electroless Nickel (Others available on request)
Plunger Type: Slot and cross drilled per drawing standard (Other options available on request)
Plunger Weight: 1.9 ounces standard

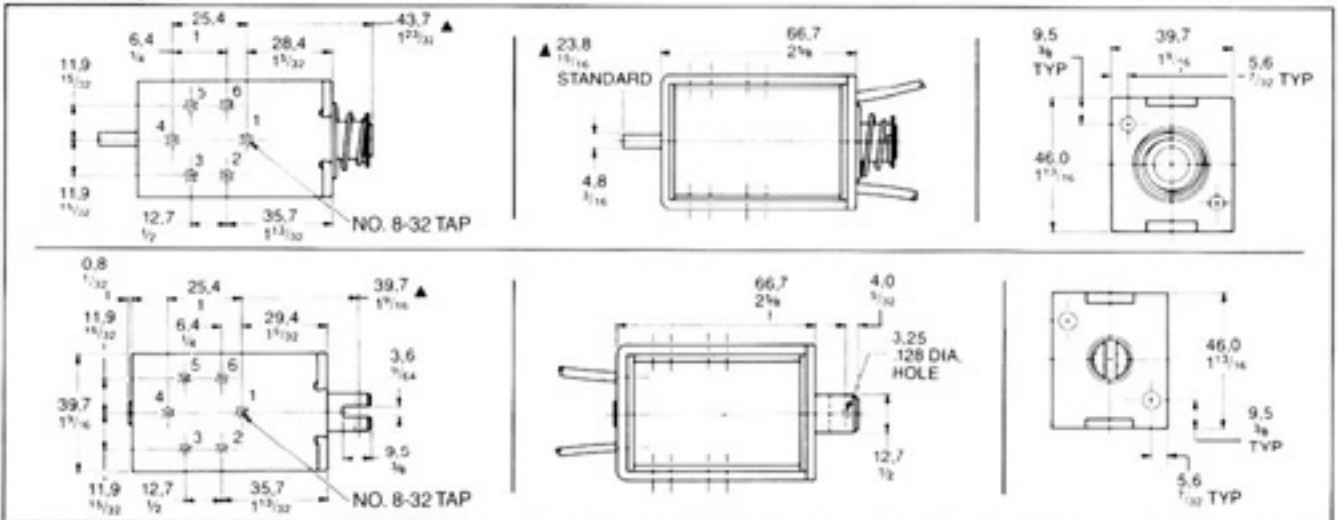
DC Performance Data



Duty Cycle	Maximum "On" Time	Stroke vs. Force* (inches)	Rated Power (watts)
Continuous	∞	0.0	220.0
		0.2	62.0
		0.4	33.0
		0.6	18.0
10%	60 sec.	0.0	310.0
		0.2	150.0
		0.4	118.0
		0.6	96.0

* TYPICAL FORCE @ 25°C AND NOMINAL RATED DC VOLTAGE

Dimensions



▲ ENERGIZED DIM.



850 Perimeter Road
 Manchester, NH 03103
 Toll Free: 800 227-5955
 Facsimile: 603 622-2690
 Email: sales@jewellinstruments.com
 www.jewellinstruments.com