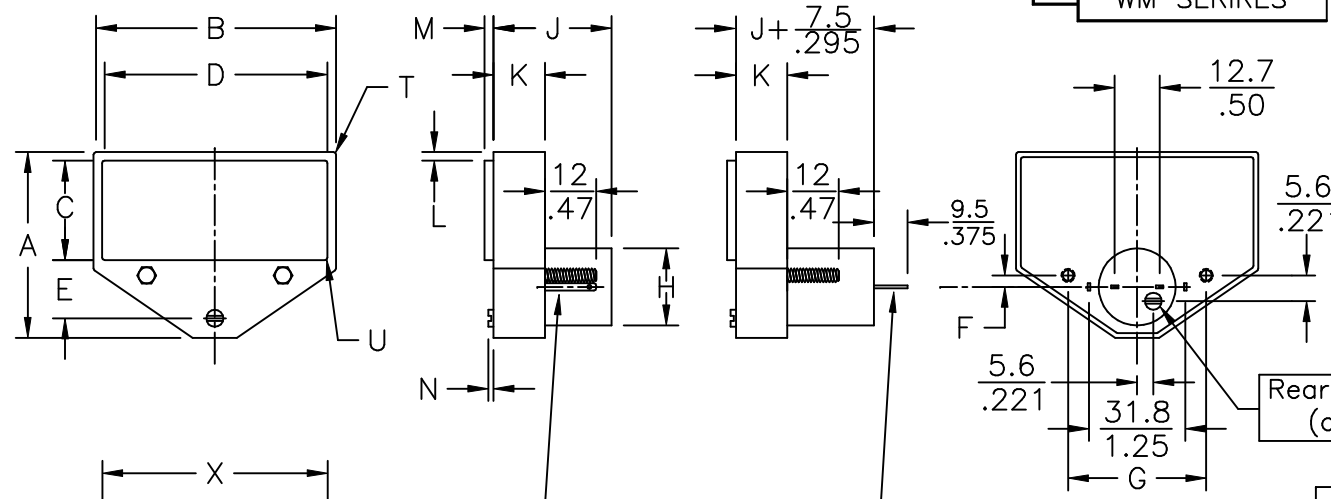


DWG. NO. **WM SERIES**

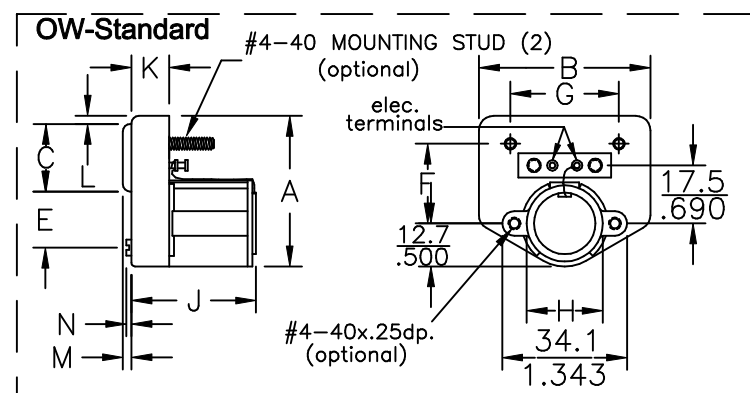
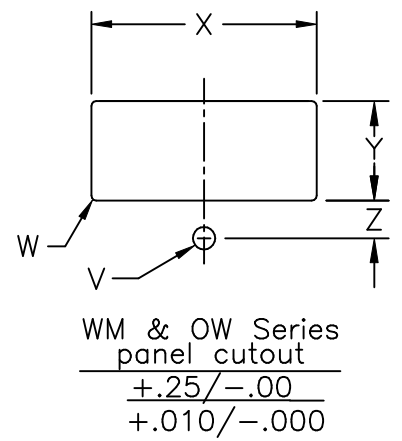
REVISIONS			
SYM.	DESCRIPTION	DATE	APPROVAL
A	RELEASED TO PRODUCTION STATUS	7-6-08	21174



Rear zeroi adj (optional)

WM VERSION:
 Quick-connect elec. terminals
 2.75 x .51 x 12.7 long (2)
 .110 x .020 x .50
 Terminals $\frac{30.5}{1.20}$ long available as options.

WML VERSION:
 Quick-connect elec. terminals
 2.75 x .51 x 9.5 long (2) on barrel.
 .110 x .020 x .375
 Terminals $\frac{19.1}{.750}$ long available as options.



DIMENSIONAL DATA

	A	B	C	D	E	F	G	H	J	K	L	M	N	T	U	V	W	X	Y	Z	AA	
OW	mm.	41.7	50.3	21.6	46.0	13.2	22.2	31.7	25.4	31.7	10.7	2.8	2.9	1.8	4.8R	1.5R	5.2 DIA	1.2R	46.4	21.8	13.1	12.7
	in.	1.64	1.98	.850	1.82	.52	.875	1.25	1.00	1.25	.42	.110	.115	.072	.19R	.06R	.205 DIA	.046R	1.825	.860	.515	.500
2 1/2"	mm.	52.5	63.5	28	59.7	14.86	3.2	40.7	25.4	32.6	11.4	1.9	2.9	1.8	2.9R	.8R	5.4 DIA	.5R	54.94	28.19	14.73	15.95
	in.	2.06	2.50	1.100	2.350	.585	.125	1.60	1.00	1.28	.45	.075	.115	.072	.08R	.03R	.213 DIA	.02R	2.360	1.110	.580	.628
3 1/2"	mm.	71.88	94.74	39.98	90.98	20.6	5.64	51	25.4	32.6	11.4	1.88	2.9	1.8	.5R	.8R	5.79 DIA	.25R	91.39	40.39	20.42	17.72
	in.	2.83	3.73	1.574	3.582	.812	.220	2.00	1.00	1.28	.45	.074	.115	.072	.02R	.03R	.228 DIA	.01R	3.598	1.590	.804	.698
4 1/2"	mm.	76max	114.4	48.3	109.3	18.25	5.1	76.25	25.4	32.6	11.4	2.5	2.9	1.8	.5R	.8R	5.79 DIA	.25R	109.71	48.70	18.04	15.24
	in.	2.99max	4.50	1.900	4.300	.718	.200	3.00	1.00	1.28	.45	.100	.115	.072	.02R	.03R	.228 DIA	.01R	4.316	1.916	.710	.600

TOLERANCE UNLESS SPECIFIED	DRAWN BY	2.J.C.	8-6-08
CHECKED BY	ENGINEER		
RAW MATERIAL - COMMERCIAL STANDARD	USED ON		NEXT ASSY
DIMENSIONS ARE IN INCHES.			
MATERIAL			
FINISH			
THIS DRAWING COVERS A PROPRIETARY ITEM AND IS THE PROPERTY OF JEWELL INSTRUMENTS, LLC. THIS DRAWING IS NOT TO BE COPIED OR USED WITHOUT PERMISSION.			

WM SERIES
 1 1/2", 2 1/2", 3 1/2", 4 1/2"
OUTLINE

SCALE NONE
 EPA NO.

Jewell
 INSTRUMENTS, LLC.
 MANCHESTER NEW HAMPSHIRE

DWG. NO. **WM SERIES**

CODE 33005
 CAT. NO.